



**PROCRAFT**  
CABINETS

# PROCRAFT SPECIFICATION GUIDE | 2021

---

Professionally  
Crafted Cabinets

# TABLE OF CONTENTS

03

---

CABINET  
CONSTRUCTION

40

---

VANITY DESIGN  
AND SPECIFICATIONS

04

---

WALL CABINET DESIGN  
AND SPECIFICATIONS

45

---

ACCESSORIES

22

---

BASE CABINET DESIGN  
AND SPECIFICATIONS

59

---

MODIFICATIONS

35

---

TALL CABINET DESIGN  
AND SPECIFICATIONS

# CABINET CONSTRUCTION



$\frac{5}{8}$ " solid wood dovetail construction on all sides of drawer box with UV clear coat on all exposed surfaces. Drawer glides are all steel constructed soft-close mechanisms.  $\frac{3}{8}$ " plywood drawer bottom.

Inside, a solid wood corner bracket for extra stability.

Inside,  $\frac{1}{2}$ " plywood panel dadoes into face frame. Side reveal is  $\frac{1}{4}$ " before skin is applied.



$\frac{3}{4}$ " adjustable plywood shelf, finished with birch wood veneer top and bottom edge banded on the front leading edge.

$\frac{1}{2}$ " furniture-grade plywood coated with UV clear coat.

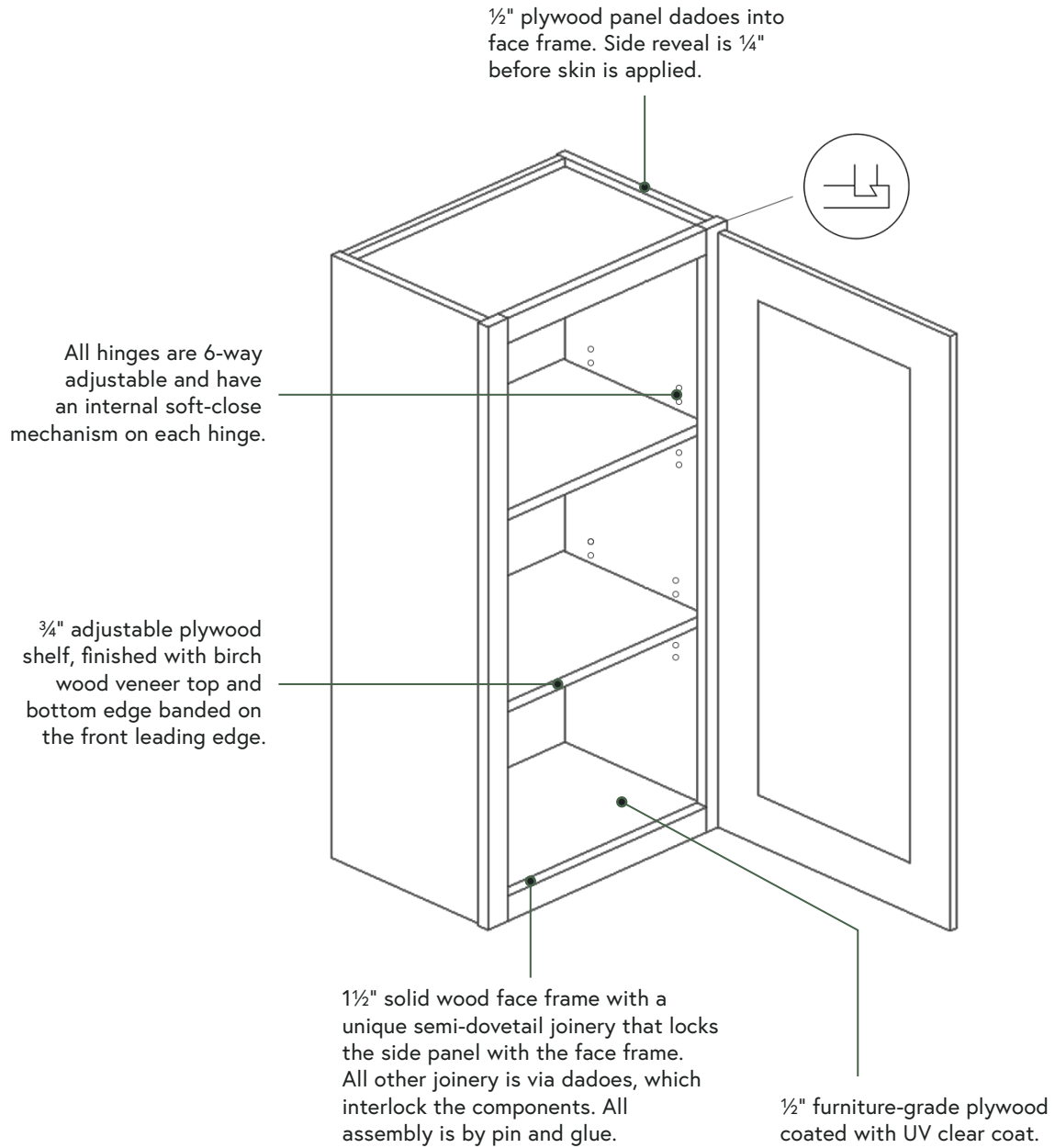
All hinges are 6-way adjustable and have an internal soft-close mechanism on each hinge.

$4\frac{1}{2}$ " high x  $2\frac{1}{2}$ " deep,  $\frac{1}{2}$ " thick toe boards.



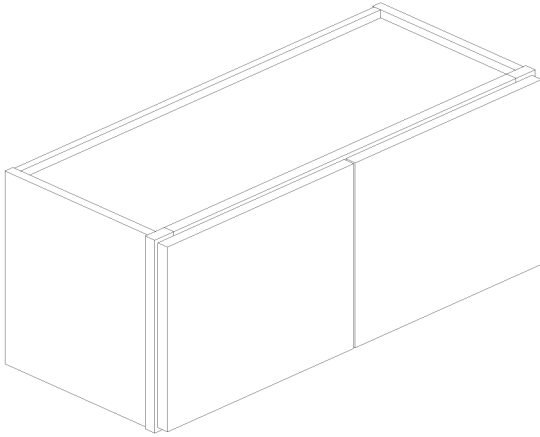
# WALL CABINET DESIGN AND SPECIFICATIONS

# WALL CABINET SPECIFICATIONS



12/15/18/21/24" HIGH

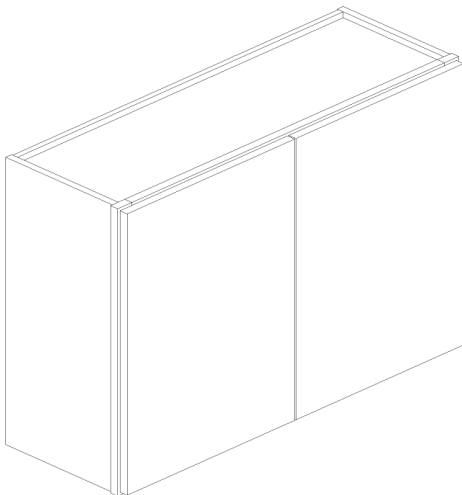
# WALL CABINETS



DOUBLE DOOR

WxHxD	SKU
30"x12"x12"	W3012
30"x15"x12"	W3015
30"x18"x12"	W3018
30"x21"x12"	W3021
36"x12"x12"	W3612
36"x15"x12"	W3615
36"x18"x12"	W3618
36"x21"x12"	W3621

Modifications available.



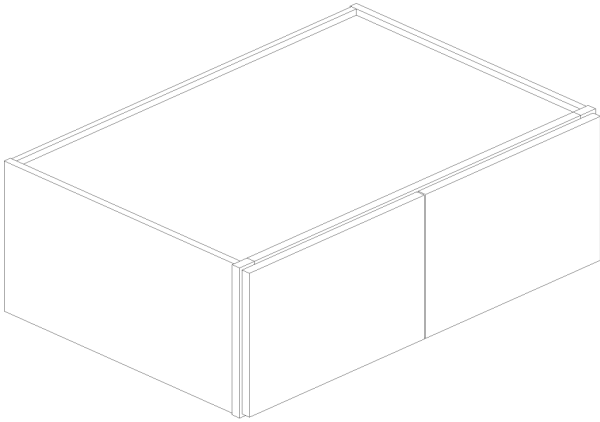
DOUBLE DOOR,  
SINGLE SHELF

WxHxD	SKU
30"x24"x12"	W3024
33"x24"x12"	W3324
36"x24"x12"	W3624

Modifications available.

24" DEEP

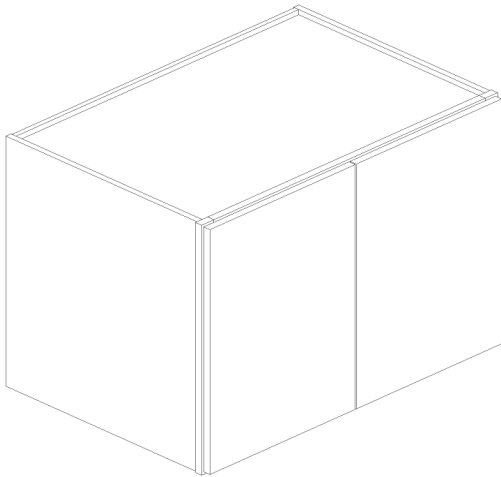
# WALL CABINETS



DOUBLE DOOR

WxHxD	SKU
36"x12"x24"	W361224
36"x15"x24"	W361524
36"x18"x24"	W361824
36"x21"x24"	W362124
42"x12"x24"	W421224
48"x12"x24"	W481224

Modifications available.



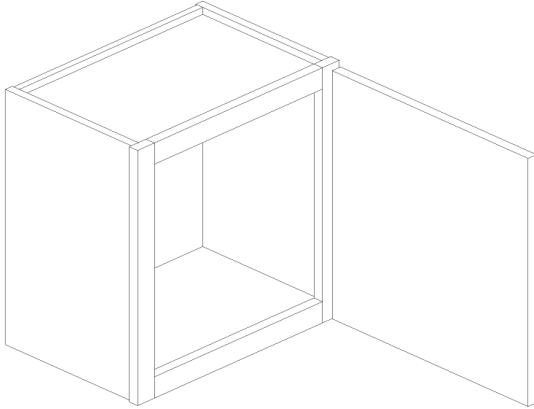
DOUBLE DOOR,  
SINGLE SHELF

WxHxD	SKU
36"x24"x24"	W362424

Modifications available.

18" HIGH

# WALL CABINETS

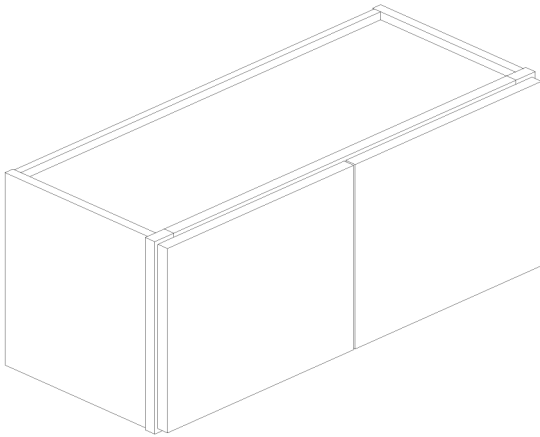


SINGLE DOOR

WxHxD	SKU
-------	-----

18"x18"x12"	W1818
-------------	-------

Modifications available.



DOUBLE DOOR

WxHxD	SKU
-------	-----

30"x18"x12"	W3018
-------------	-------

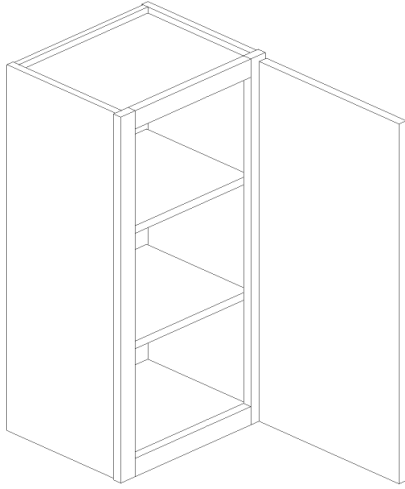
36"x18"x12"	W3618
-------------	-------

Modifications available.



30" HIGH

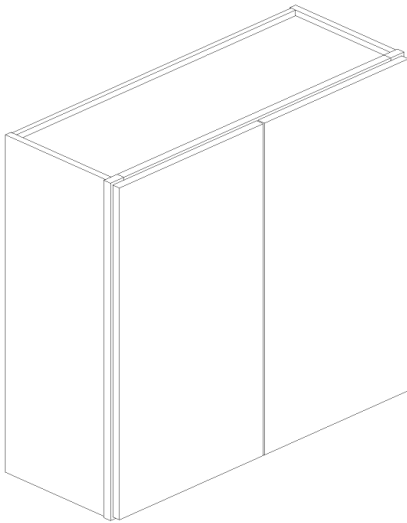
# WALL CABINETS



SINGLE DOOR,  
DOUBLE SHELF

WxHxD	SKU
9"x30"x12"	W0930
12"x30"x12"	W1230
15"x30"x12"	W1530
18"x30"x12"	W1830
21"x30"x12"	W2130

Modifications available.



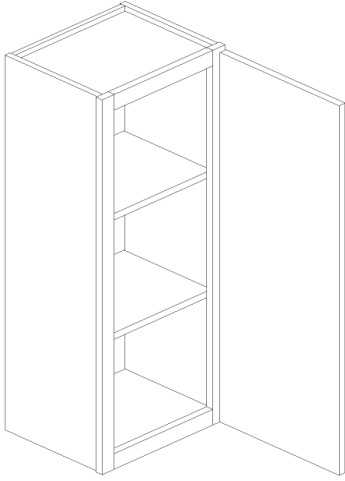
DOUBLE DOOR,  
DOUBLE SHELF

WxHxD	SKU
24"x30"x12"	W2430
27"x30"x12"	W2730
30"x30"x12"	W3030
33"x30"x12"	W3330
36"x30"x12"	W3630
39"x30"x12"	W3930
42"x30"x12"	W4230

Modifications available.

36" HIGH

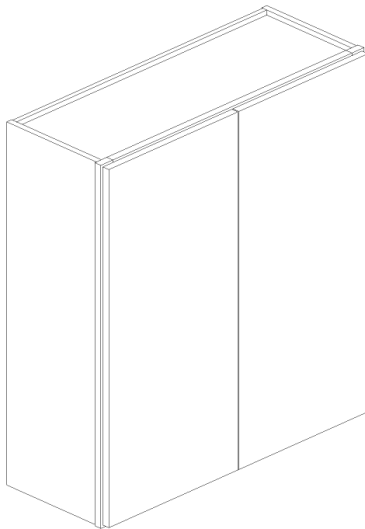
# WALL CABINETS



SINGLE DOOR,  
DOUBLE SHELF

WxHxD	SKU
9"x36"x12"	W0936
12"x36"x12"	W1236
15"x36"x12"	W1536
18"x36"x12"	W1836
21"x36"x12"	W2136

Modifications available.



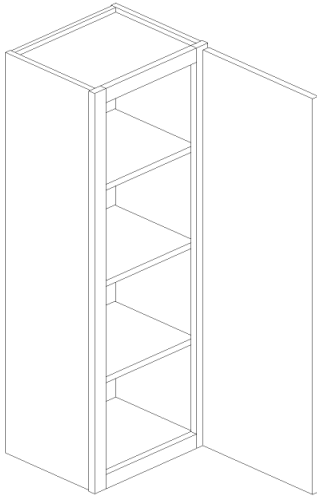
DOUBLE DOOR,  
DOUBLE SHELF

WxHxD	SKU
24"x36"x12"	W2436
27"x36"x12"	W2736
30"x36"x12"	W3036
33"x36"x12"	W3336
36"x36"x12"	W3636
39"x36"x12"	W3936
42"x36"x12"	W4236

Modifications available.

42" HIGH

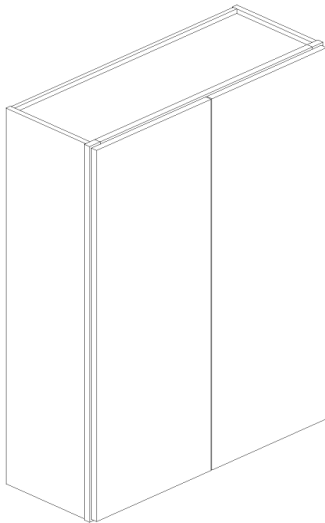
# WALL CABINETS



SINGLE DOOR,  
TRIPLE SHELF

WxHxD	SKU
9"x42"x12"	W0942
12"x42"x12"	W1242
15"x42"x12"	W1542
18"x42"x12"	W1842
21"x42"x12"	W2142

Modifications available.



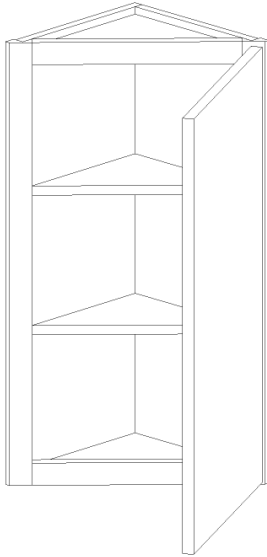
DOUBLE DOOR,  
TRIPLE SHELF

WxHxD	SKU
24"x42"x12"	W2442
27"x42"x12"	W2742
30"x42"x12"	W3042
33"x42"x12"	W3342
36"x42"x12"	W3642
39"x42"x12"	W3942
42"x42"x12"	W4242

Modifications available.

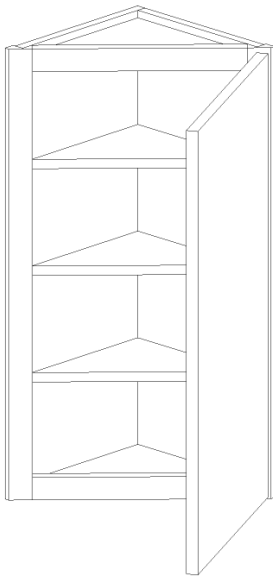
WALL ANGLE

# END-OF-RUN CABINETS



WxHxD	SKU
12"x30"x12"	WAE30
12"x36"x12"	WAE36

Comes standard with finished interior.

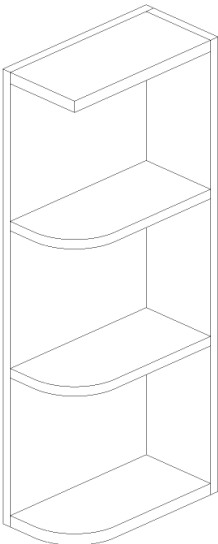


WxHxD	SKU
12"x42"x12"	WAE42

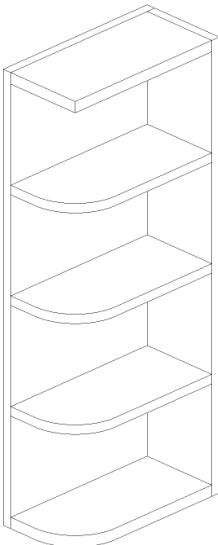
Comes standard with finished interior.

WALL OPEN SHELF

# END-OF-RUN CABINETS



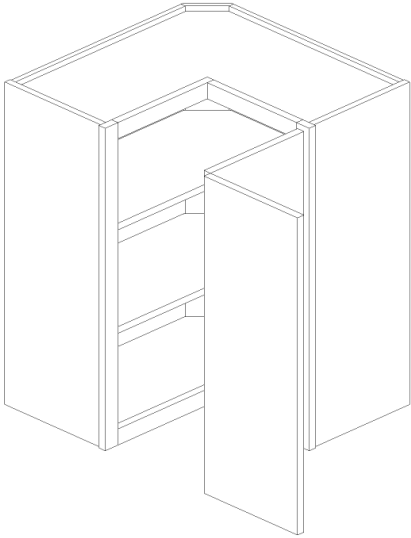
WxHxD	SKU
12"x30"x6"	WOES0630
12"x36"x6"	WOES0636



WxHxD	SKU
12"x42"x6"	WOES0642

SQUARE

## WALL CORNER CABINETS

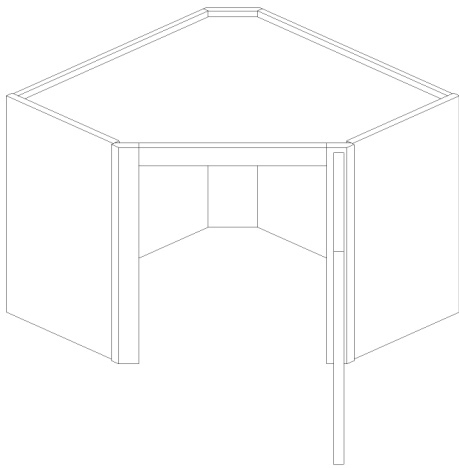


WxHxD	SKU
24"x30"x24"	WSC2430
24"x36"x24"	WSC2436
24"x42"x24"	WSC2442

Modifications available.  
30" and 36" high cabinets have two shelves.  
42" high cabinets have three shelves.

24" DIAGONAL CORNER APPLIANCE GARAGE

## WALL CORNER CABINETS

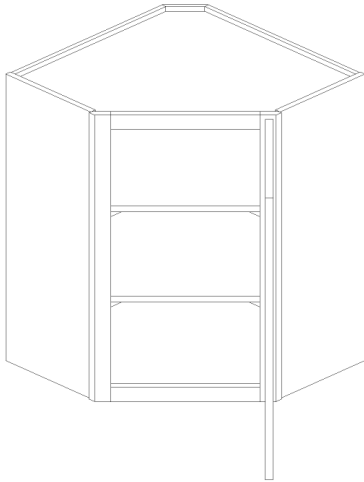


WxHxD	SKU
24"x18"x24"	WDC2418G

Modifications available.  
Does not have bottom rail or floor.

DIAGONAL

# WALL CORNER CABINETS

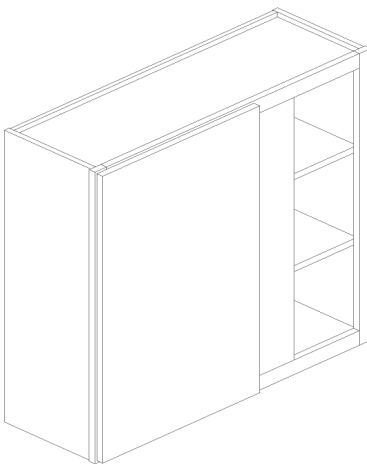


WxHxD	SKU
24"x30"x24"	WDC2430
24"x36"x24"	WDC2436
24"x42"x24"	WDC2442
27"x36"x27"	WDC273615
27"x42"x27"	WDC274215

Modifications available.  
 18" high has no shelf.  
 30" and 36" high cabinets have two shelves.  
 42" high cabinets have three shelves.

WALL BLIND

# CORNER CABINETS



WxHxD	SKU
30"x30"x12"	WBC3030
30"x36"x12"	WBC3630
36"x30"x12"	WBC3036
36"x36"x12"	WBC3636
30"x42"x12"	WBC3042
36"x42"x12"	WBC3642

Modifications available.  
 Right hinge cabinet shown.  
 3" filler required adjacent to blind corner.  
 30" and 36" high cabinets have two shelves.  
 42" high cabinets have three shelves.  
 Can be pulled up to 3" from wall.

TECHNICAL SPECS

**WBC30**

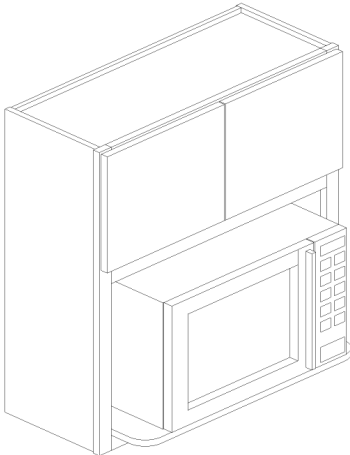
Door Opening 11.5"  
 Center Stile 6.5"  
 Blind Opening 9"

**WBC36**

Door Opening 17.5"  
 Center Stile 6.5"  
 Blind Opening 9"

MICROWAVE

# WALL CABINET



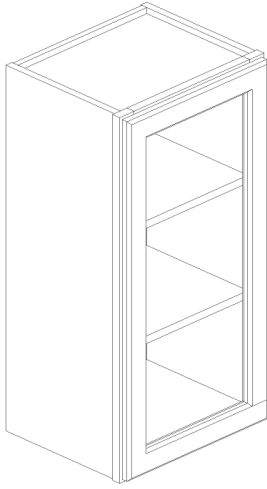
WxHxD	SKU
30"x30"x12"	WMO3030
30"x36"x12"	WMO3036
30"x42"x12"	WMO3042

Modifications available.  
Comes standard with finished interior.  
Removable shelf is 17" deep.  
Microwave opening is 27" wide by 16.5" high.



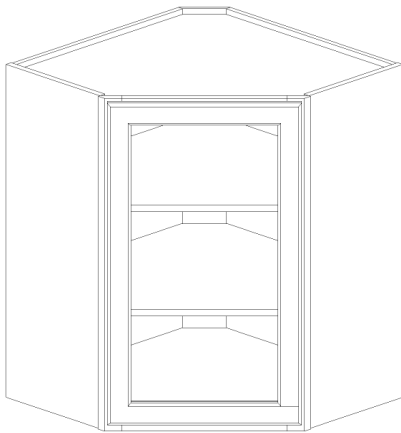
GLASS DOOR

WALL CABINETS



WxHxD	SKU
15"x30"x12"	W1530GD
15"x36"x12"	W1536GD
15"x42"x12"	W1542GD
24"x30"x12"	W2430GD
24"x36"x12"	W2436GD
24"x42"x12"	W2442GD
30"x30"x12"	W3030GD
30"x36"x12"	W3036GD
30"x42"x12"	W3042GD

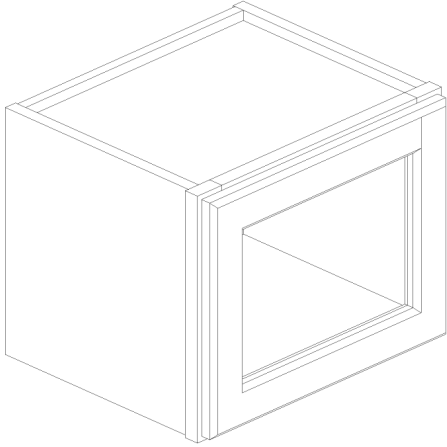
Modifications available.  
 Glass not included. Interior finished upon request.  
 30" and 36" high cabinets have two shelves.  
 42" high cabinets have three shelves.



WxHxD	SKU
24"x30"x12"	WDC2430GD
24"x36"x12"	WDC2436GD
24"x42"x12"	WDC2442GD
27"x36"x15"	WDC273615GD
27"x42"x15"	WDC274215GD

Modifications available.  
 Glass not included. Interior finished upon request.  
 30" and 36" high cabinets have two shelves.  
 42" high cabinets have three shelves.

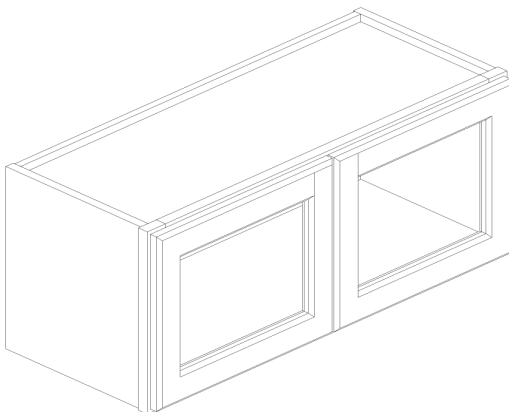
SINGLE GLASS DOOR  
WALL CABINET



WxHxD	SKU
12"x12"x12"	W1212GD
15"x12"x12"	W1512GD
18"x12"x12"	W1812GD
21"x12"x12"	W2112GD

Modifications available.  
Glass not included. Interior finished upon request.  
Only available in LSW, LSE, LSG, AA, AB, AO. NME.

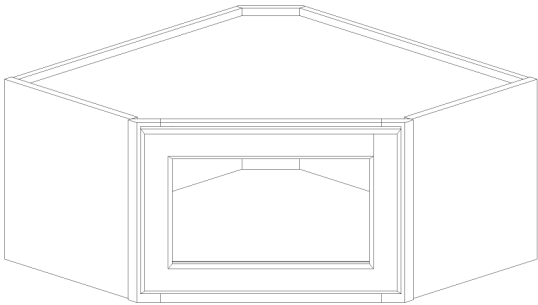
DOUBLE GLASS DOOR  
WALL CABINET



WxHxD	SKU
12"x12"x12"	W2412GD
27"x12"x12"	W2712GD
30"x12"x12"	W3012GD
33"x12"x12"	W3312GD
36"x12"x12"	W3612GD

Modifications available.  
Glass not included. Interior finished upon request.  
Only available in LSW, LSE, LSG, AA, AB, AO. NME.

DIAGONAL GLASS DOOR  
WALL CABINET



WxHxD	SKU
24"x12"x24"	WDC2412GD

Modifications available.  
Glass not included. Interior finished up request.  
Only available in LSW, LSE, LSG, AA, AB, AO. NME.

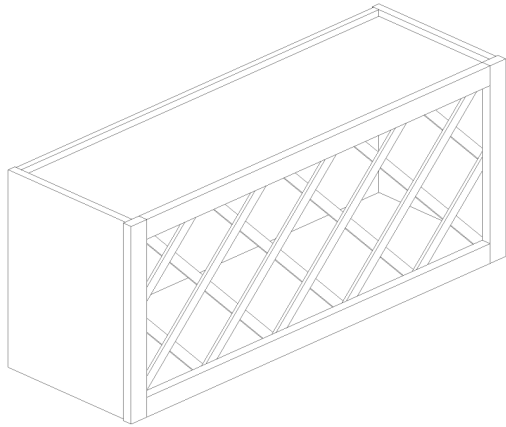
PRO TIP

---

Can't find the glass door size you are looking for? We can prep most doors for glass.  
See the modification list on page 59.

WINE

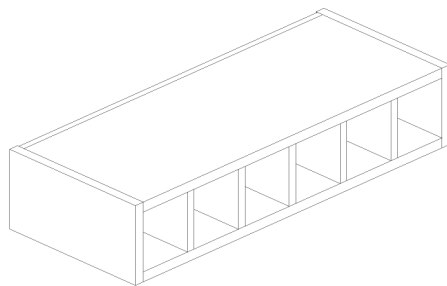
WALL CABINETS



WINE RACK

WxHxD	SKU
30"x15"x12"	WR3015
36"x15"x12"	WR3615

Comes standard with finished interior.



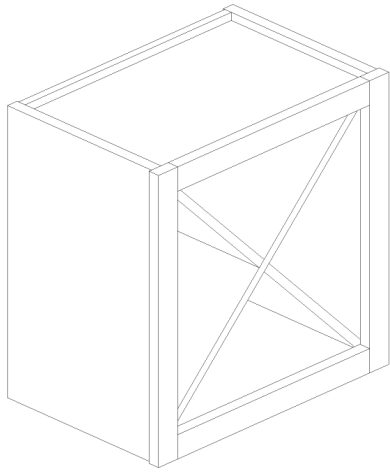
SLOTTED  
CUBBIE

WxHxD	SKU
30"x6"x12"	WCW630

Comes standard with finished interior.

WINE

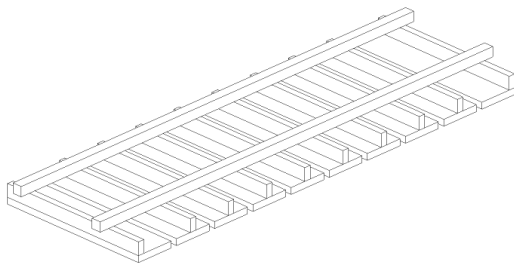
# WALL CABINETS



X STORAGE

WxHxD	SKU
18"x18"x12"	WCX1818

Comes standard with finished interior.



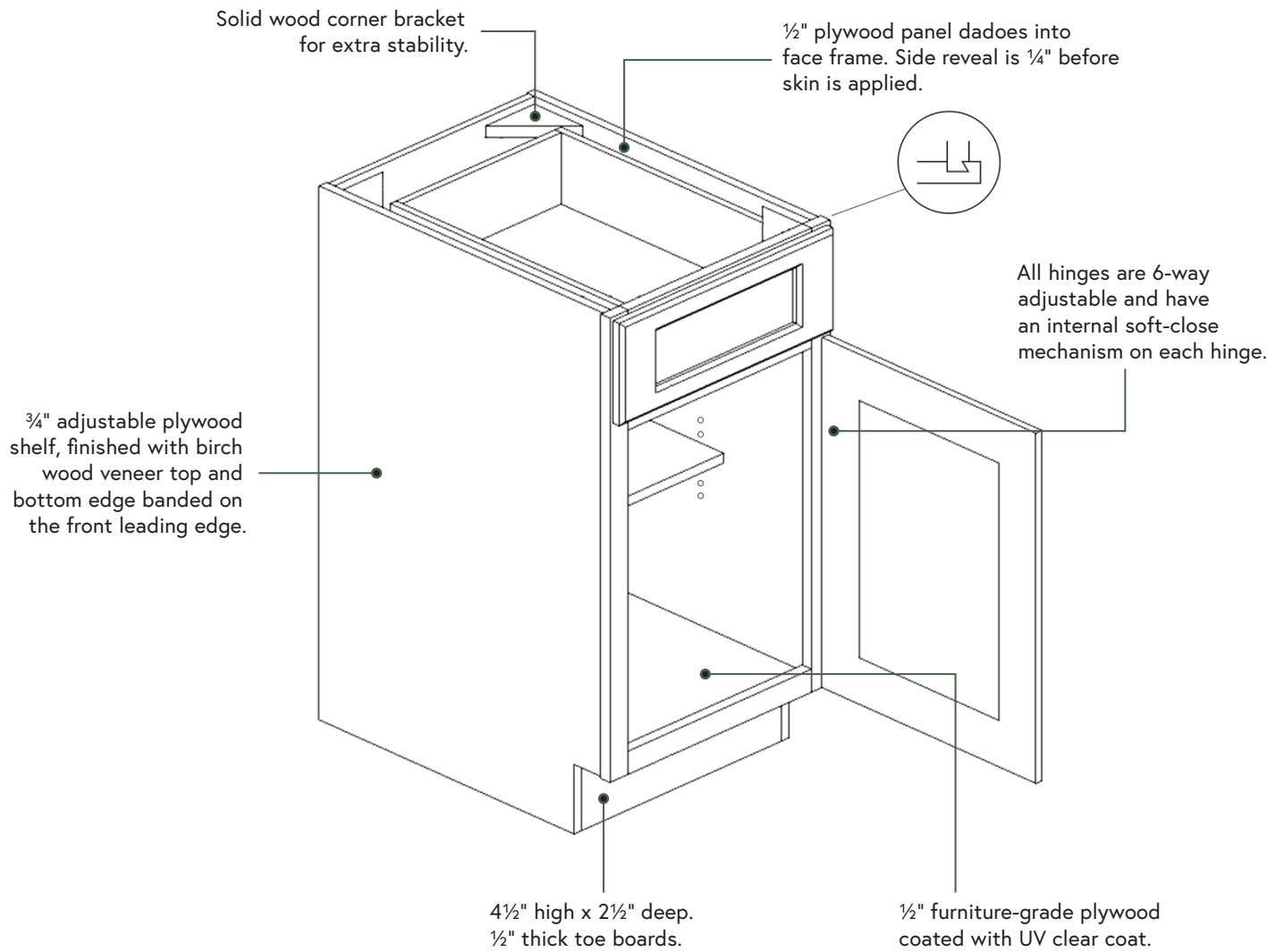
STEM GLASS  
HOLDER

WxHxD	SKU
30"x1.5"x12"	SGH30
36"x1.5"x12"	SGH36



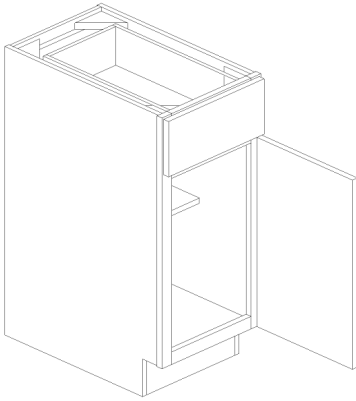
# BASE CABINET DESIGN AND SPECIFICATIONS

# BASE CABINET SPECIFICATIONS



BASE WITH DRAWER

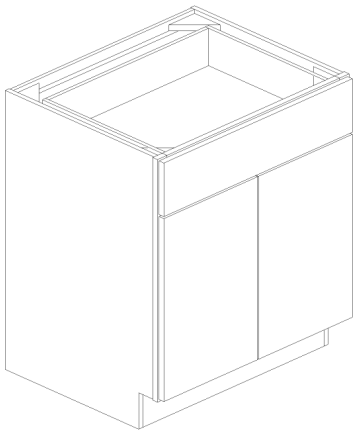
# BASE CABINETS



SINGLE DOOR

WxHxD	SKU
12"x34.5"x24"	B12
15"x34.5"x24"	B15
18"x34.5"x24"	B18
21"x34.5"x24"	B21

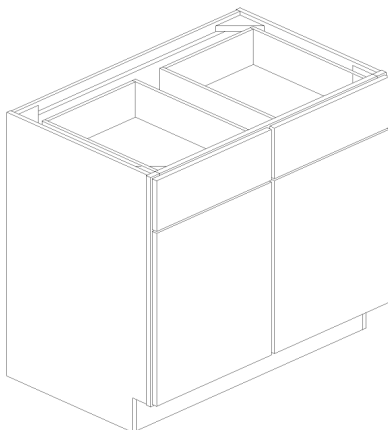
Modifications available.



DOUBLE DOOR,  
SINGLE DRAWER

WxHxD	SKU
24"x34.5"x24"	B24
27"x34.5"x24"	B27
30"x34.5"x24"	B30
33"x34.5"x24"	B33
36"x34.5"x24"	B36

Modifications available.



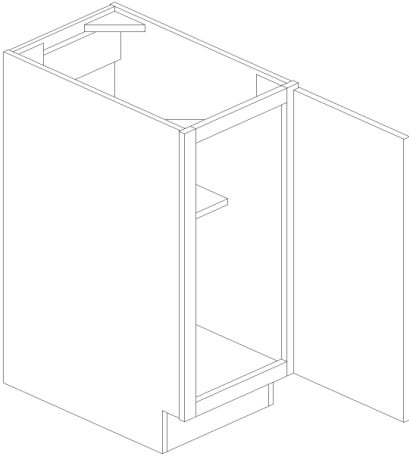
DOUBLE DOOR,  
DOUBLE DRAWER

WxHxD	SKU
39"x34.5"x24"	B39
42"x34.5"x24"	B42

Modifications available.



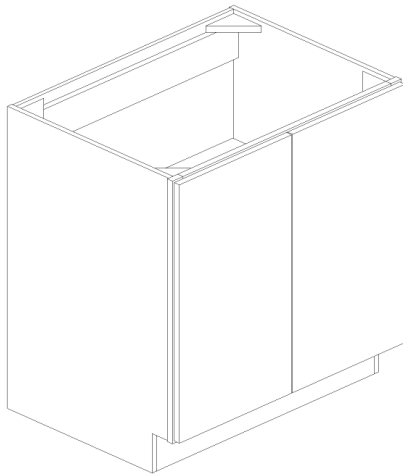
# FULL HEIGHT DOOR BASE CABINETS



SINGLE DOOR

WxHxD	SKU
9"x34.5"x24"	B09FH
12"x34.5"x24"	B12FH
15"x34.5"x24"	B15FH
18"x34.5"x24"	B18FH
21"x34.5"x24"	B21FH

Modifications available.



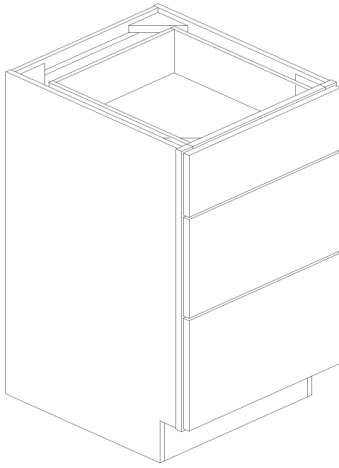
DOUBLE DOOR

WxHxD	SKU
24"x34.5"x24"	B24FH
27"x34.5"x24"	B27FH
30"x34.5"x24"	B30FH
33"x34.5"x24"	B33FH
36"x34.5"x24"	B36FH
39"x34.5"x24"	B39FH
42"x34.5"x24"	B42FH

Modifications available.

DRAWER

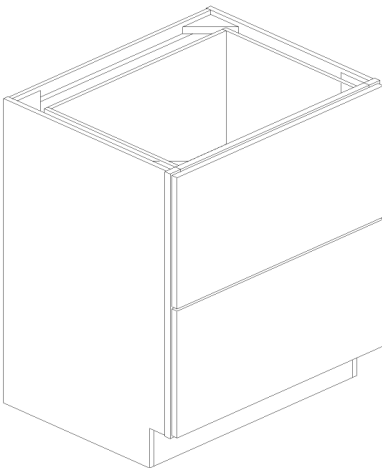
BASE CABINETS



THREE DRAWER

WxHxD	SKU
12"x34.5"x24"	3DB12
15"x34.5"x24"	3DB15
18"x34.5"x24"	3DB18
21"x34.5"x24"	3DB21
24"x34.5"x24"	3DB24
30"x34.5"x24"	3DB30
36"x34.5"x24"	3DB36

Modifications available.



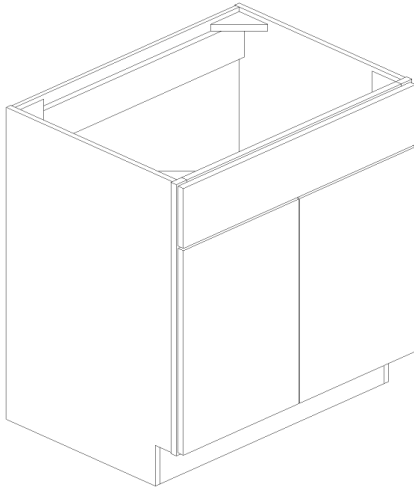
TWO DRAWER

WxHxD	SKU
30"x34.5"x24"	2DB30
36"x34.5"x24"	2DB36

Modifications available.

SINK

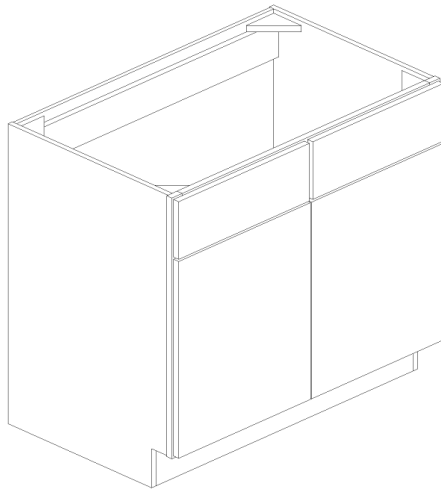
## BASE CABINETS



DOUBLE DOOR,  
SINGLE DRAWER

WxHxD	SKU
24"x34.5"x24"	SB24
30"x34.5"x24"	SB30
33"x34.5"x24"	SB33
36"x34.5"x24"	SB36

Modifications available.



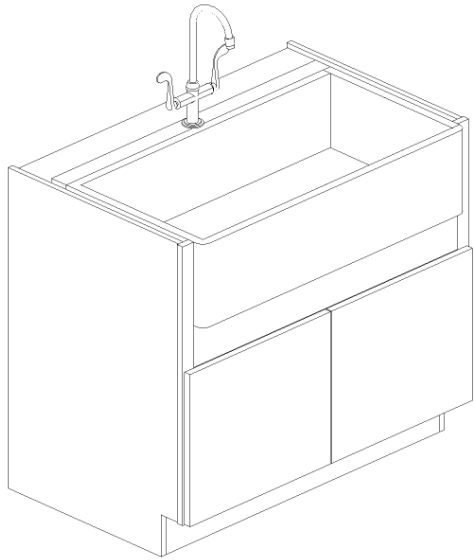
DOUBLE DOOR,  
DOUBLE DRAWER

WxHxD	SKU
39"x34.5"x24"	SB39
42"x34.5"x24"	SB42

Modifications available.

## FARM SINK

# BASE CABINETS



FARM SINK

WxHxD	SKU
36"x34.5"x24"	FS36
39"x34.5"x24"	FS39

Modifications available.

Sink opening must be cut in field.

FS36 standard opening is 26" wide and can be cut up to 33" wide.

FS39 standard opening is 29" wide and can be cut up to 36" wide.

Trimable face is 10.75" high.

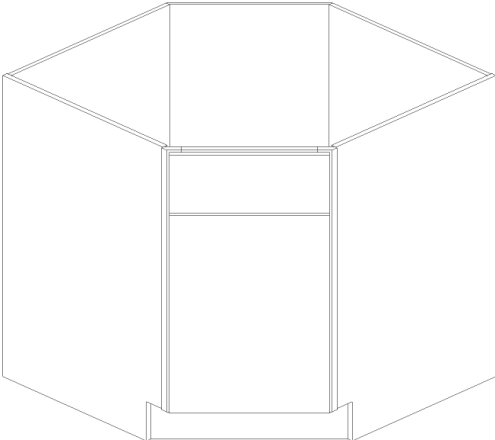
Doors are 19" high.

## PRO TIP

Use a sharp blade and go slow when cutting farm sink opening to avoid excessive vibration that can cause joint splits. Order item SC—Scribe Molding to cover gaps where frame meets sink.

CORNER

# BASE CABINETS

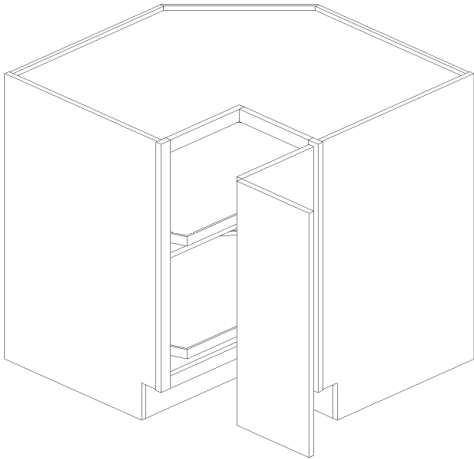


DIAGONAL SINK

WxHxD	SKU
36"x34.5"x36"	DSB36

Modifications available.

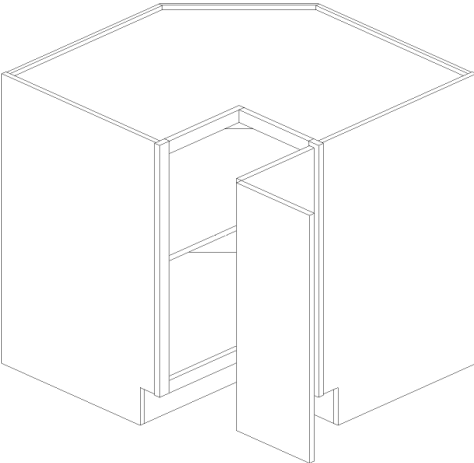
CORNER  
**BASE CABINETS**



LAZY SUSAN

WxHxD	SKU
33"x34.5"x33"	LSB33
36"x34.5"x36"	LSB36

Modifications available.



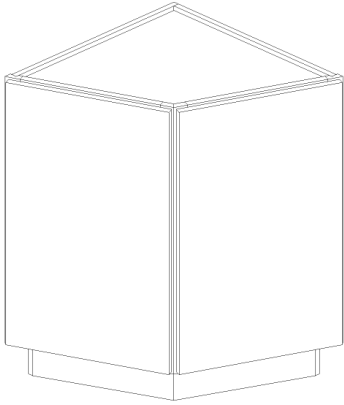
SQUARE CORNER

WxHxD	SKU
36"x34.5"x36"	BER36

Modifications available.

## ANGLE END

# BASE CABINETS

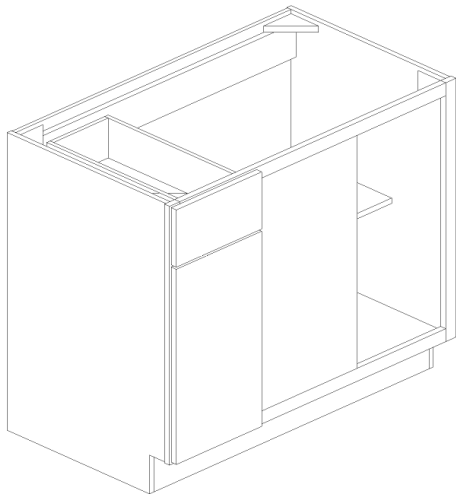


WxHxD	SKU
24"x34.5"x24"	BAE24

Modifications available.

## BLIND

# BASE CABINETS



WxHxD	SKU
39"x34.5"x24"	BLB39/42
42"x34.5"x24"	BLB42/45

Modifications available.  
3" filler required adjacent to blind corner.  
Right hinge cabinet shown.  
Can be pulled up to 3" from wall.

### TECHNICAL SPECS

#### **BLB39/42**

Door Opening 8.5"

Center Stile 19"

Blind Opening 8.5"

#### **BLB42/45**

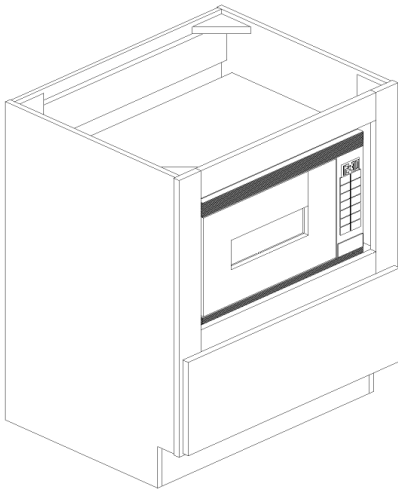
Door Opening 11.5"

Center Stile 16"

Blind Opening 11.5"

## MICROWAVE

# BASE CABINETS



### TECHNICAL SPECS

#### **BMD30**

Microwave opening 24" wide x 16.5" high  
3" stiles and rails surrounding microwave opening  
Fixed shelf above drawer

WxHxD	SKU
30"x34.5"x24"	BMD30

Modifications available.  
Comes standard with finished interior.

## PRO TIP

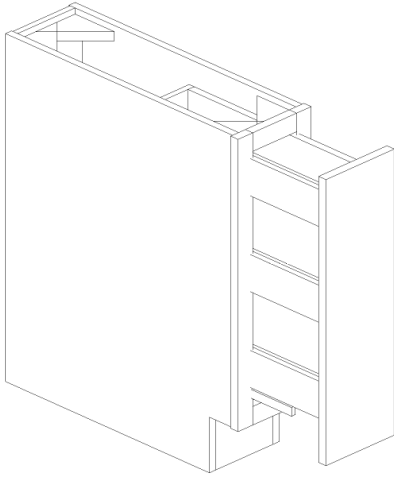
---

Check your microwave specs before ordering. Some microwave trim kits fit without modification to face frame. You may have to order item TF396–Tall Filler to trim around your microwave. All cutting and modifications are done in the field.



SPECIALTY

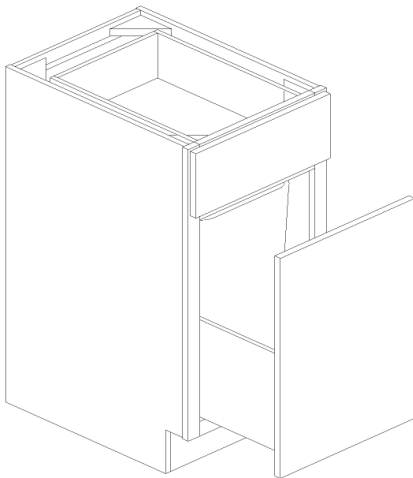
# BASE CABINETS



SPICE RACK

WxHxD	SKU
9"x34.5"x24"	B09SP

Modifications available.  
Does not come with soft-close mechanism.



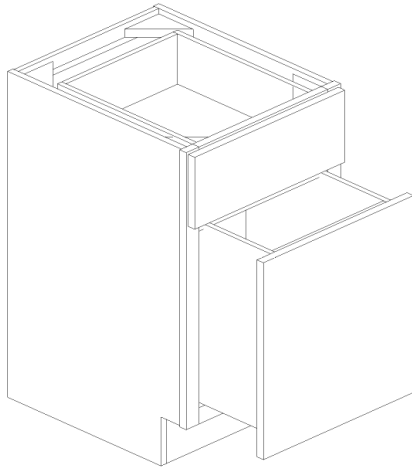
WASTE BASKET

WxHxD	SKU
18"x34.5"x24"	BWB18

Modifications available.  
Does not come with soft-close mechanism.  
Waste baskets (PRO-WB) sold separately;  
holds two waste baskets.

SPECIALTY

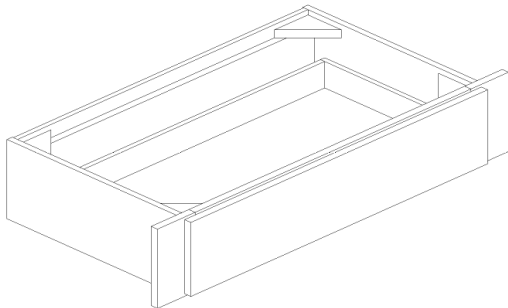
# BASE CABINETS



FILE DRAWER

WxHxD	SKU
18"x30"x21"	FDB18

File hanging system not included.



VANITY KNEE  
DRAWER

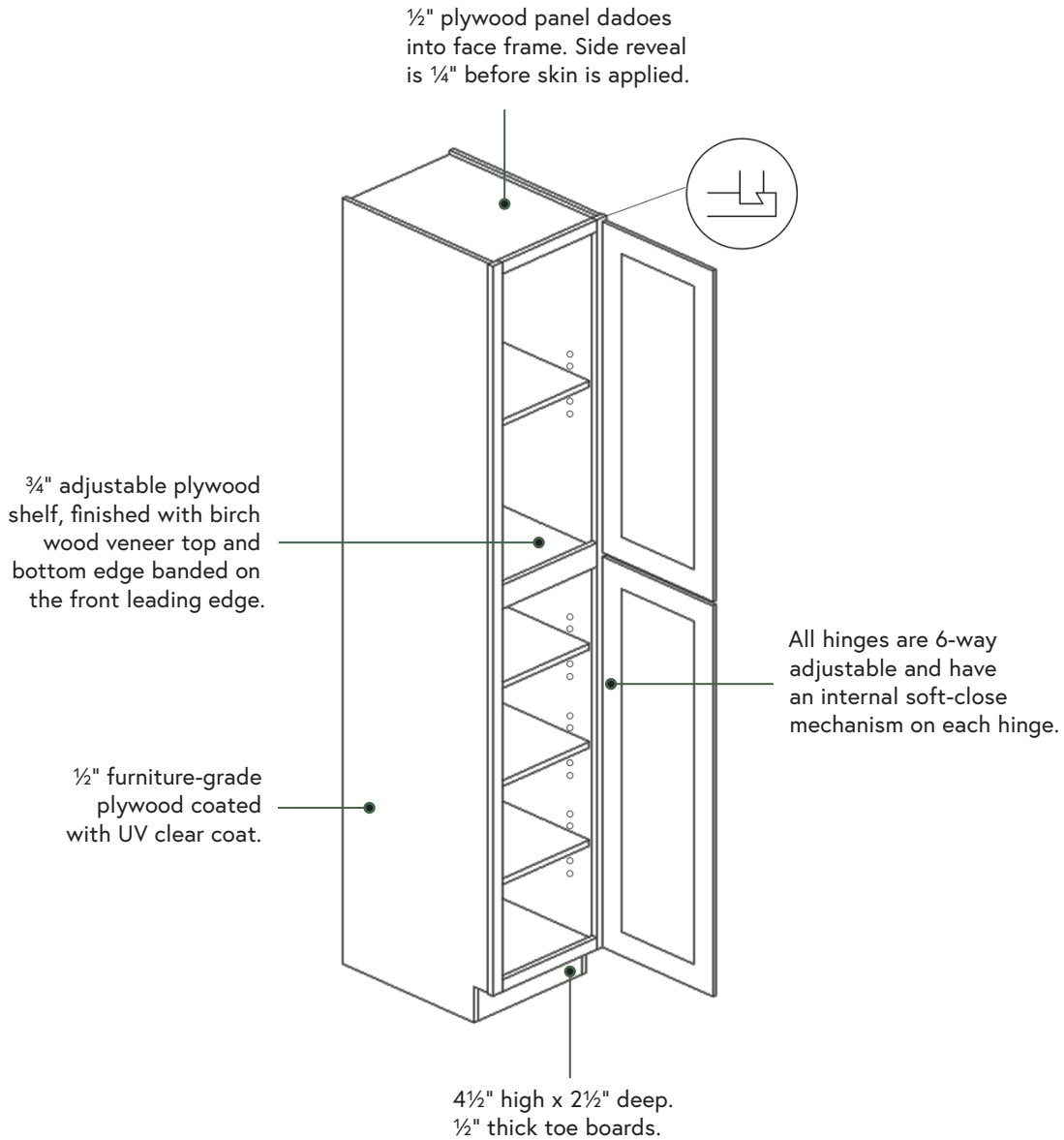
WxHxD	SKU
30/36"x7"x21"	KDC30/36

Overall size is 36" wide. 3" tabs can be cut to size.  
Actual drawer face is 30".

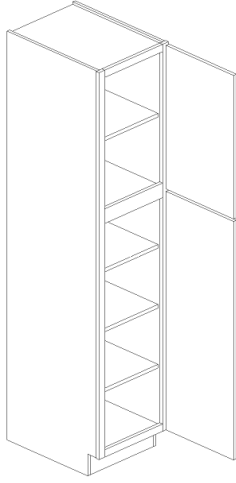


# TALL CABINET DESIGN AND SPECIFICATIONS

# TALL CABINET SPECIFICATIONS



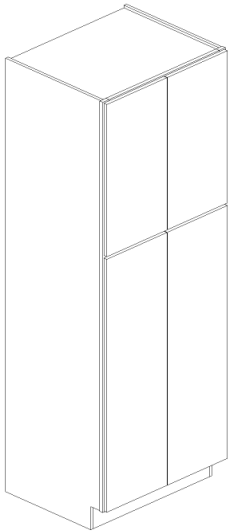
# PANTRY



SINGLE DOOR

WxHxD	SKU
18"x84"x24"	TP188424
18"x90"x24"	TP189024
18"x96"x24"	TP189624

Modifications available.  
 84" high and 90" high cabinets have four shelves.  
 96" high cabinets have five shelves.



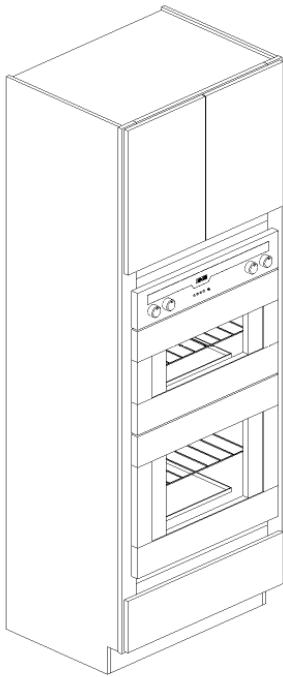
DOUBLE DOOR

WxHxD	SKU
24"x84"x24"	TP248424
24"x90"x24"	TP249024
24"x96"x24"	TP249624
30"x84"x24"	TP308424
30"x90"x24"	TP309024
30"x96"x24"	TP309624

Modifications available.  
 84" high and 90" high cabinets have four shelves.  
 96" high cabinets have five shelves.

## OVEN

# TALL CABINET



DOUBLE OVEN CABINET

### TECHNICAL SPECS

Oven opening 29" wide x 49" high.  
All cuts are done in field.  
Not designed for single ovens or oven/  
microwave combinations.

WxHxD	SKU
33"x84"x24"	OC338424
33"x90"x24"	OC339024
33"x96"x24"	OC339624

Modifications available.

## PRO TIP

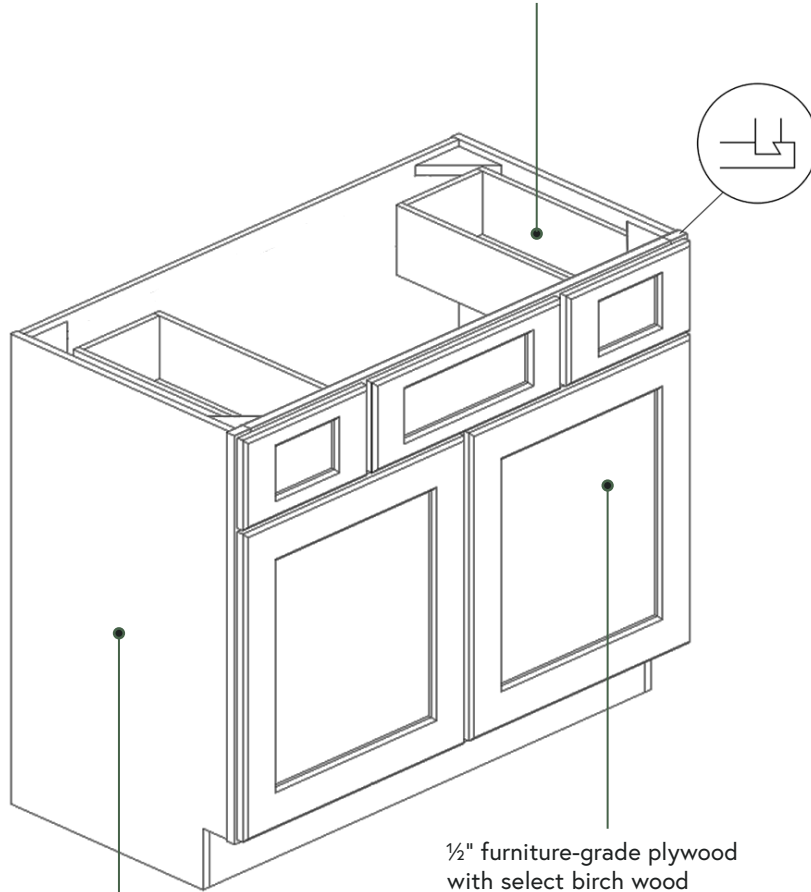
Check your appliance dimensions before ordering. You may need to order additional items (TF396–Tall Fillers and Item SC–Scribe Molding) to trim out oven in the opening. ProCraft is not responsible for ensuring your appliance will fit in this cabinet.



# VANITY DESIGN AND SPECIFICATIONS

# VANITY CABINET SPECIFICATIONS

5/8" solid wood dovetail construction on all sides of drawer box with UV clear coat on all exposed surfaces. Drawer glides are all steel construction soft-close mechanism.



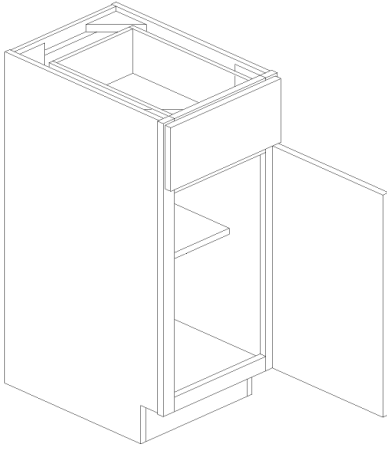
1 1/2" solid wood face frame with a unique semi-dovetail joinery that locks the side panel with the face frame. All other joinery is via dados, which interlock the components. All assembly is by pin and glue.

1/2" furniture-grade plywood with select birch wood veneer on both the interior and exterior, which is used for the top, bottom, and sides.



## BASE WITH DRAWER

# VANITY CABINETS

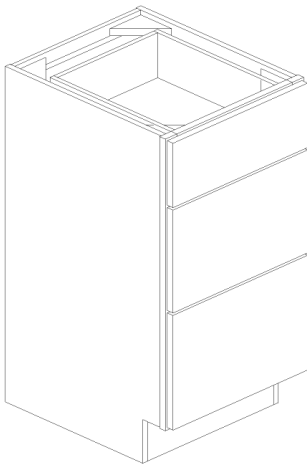


WxHxD	SKU
12"x34.5"x21"	VB12
15"x34.5"x21"	VB15

Modifications available.

## DRAWER

# VANITY CABINETS



WxHxD	SKU
12"x34.5"x21"	VDB12
15"x34.5"x21"	VDB15
18"x34.5"x21"	VDB18
24"x34.5"x21"	VDB24

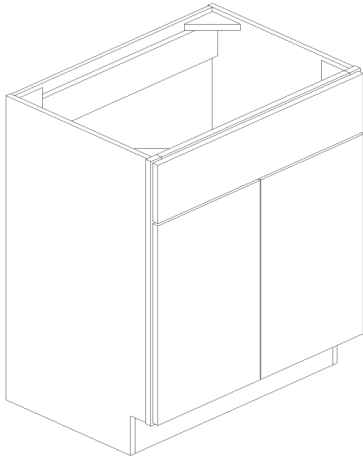
Modifications available.

## PRO TIP

Looking for a 21" or 30" wide vanity drawer bank? Take a 3DB21 or 3DB30 and apply a reduced depth drawer charge (RDD) to get a 21" deep cabinet.

## SINK

# VANITY CABINETS

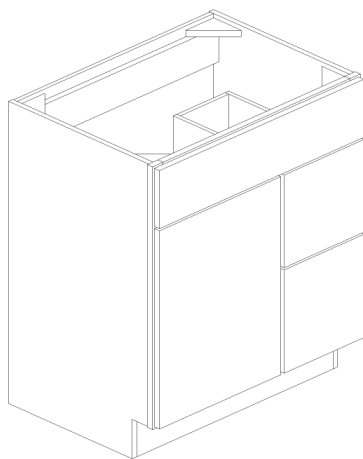


WxHxD	SKU
24"x34.5"x21"	VSB24
30"x34.5"x21"	VSB30
36"x34.5"x21"	VSB36

Modifications available.

## SINK DRAWERS

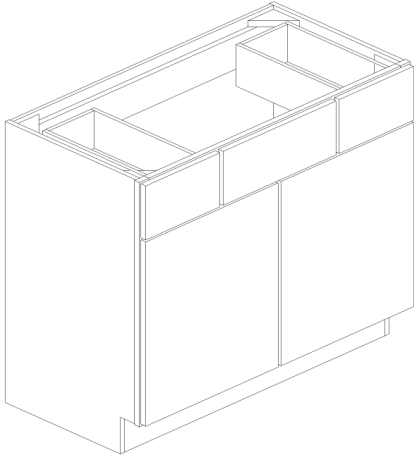
# VANITY CABINETS



WxHxD	SKU
30"x34.5"x21"	VSD30L
30"x34.5"x21"	VSD30R
36"x34.5"x21"	VSD36L
36"x34.5"x21"	VSD36R

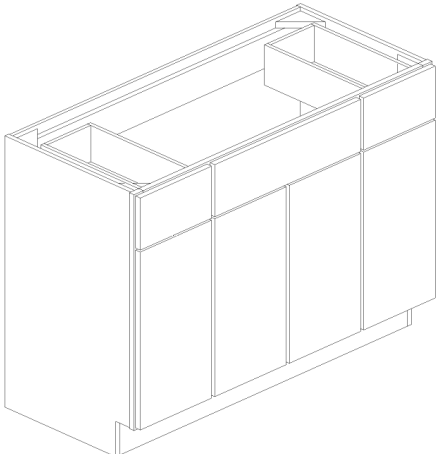
Modifications available. Right cabinet shown.

VANITY  
CONSOLES



WxHxD	SKU
42"x34.5"x21"	VSD42

Modifications available.



WxHxD	SKU
48"x34.5"x21"	VSD48

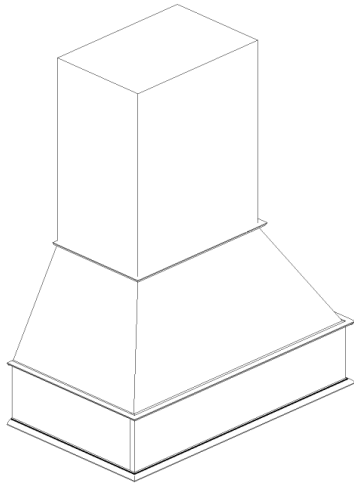
Modifications available.

# ACCESSORIES

It's important to remember that the final embellishments can really bring a beautiful design together. Our accessories help put the final touches on your product selection.



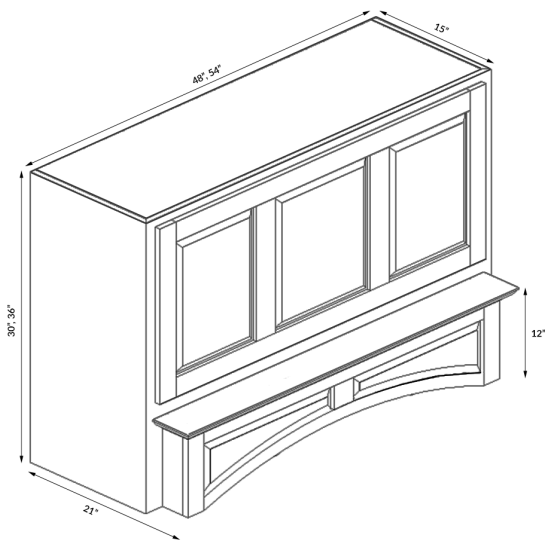
# CHIMNEY HOOD ACCESSORIES



WxHxD	SKU
34.5"x53"x24"	CH36
40.5"x53"x24"	CH42

Ships in two boxes.  
Chimney section is 30" high by 22" wide.  
Interior dimensions: CH36: 30.75"x21.5"x8",  
CH42: 36.75"x21.5"x8"

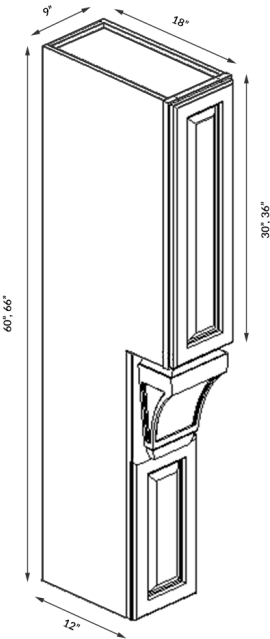
# ARCHED HOOD



WxHxD	SKU
48"x30"x24"	RHA4830
48"x36"x24"	RHA4836
54"x30"x24"	RHA5430
54"x36"x24"	RHA5436

Only available in LSW, AA, AO, BG, and AB.

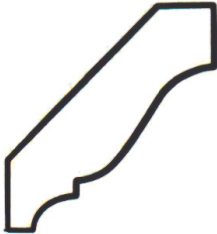
# SPICE RACK HOOD



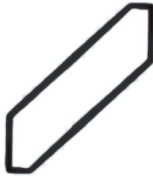
WxHxD	SKU
9"x60"x18"	HSR0960
9"x66"x18"	HSR0966

Only available in LSW, AA, AO, BG, and AB.  
Lower section is a 30" high three-tiered pullout spice rack.

CROWN  
MOLDING

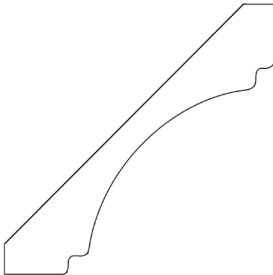


WxHxD	SKU
96"x3"x3"	CM-4



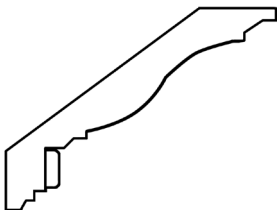
WxHxD	SKU
96"x3.5"x3.5"	CMM-4

Only available in LSW, LSE, and LSG.



WxHxD	SKU
96"x3.5"x3.5"	FCM

Only available in AA, AB, BG, ESC, PC

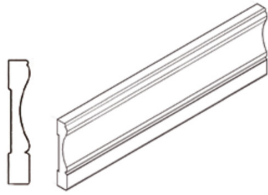


WxHxD	SKU
96"x3.5"x3.5"	DCM

Only available in AO

BASE

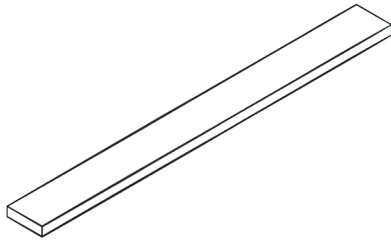
MOLDINGS



FBM8

WxHxD	SKU
96"x4.5"x0.75"	FBM8

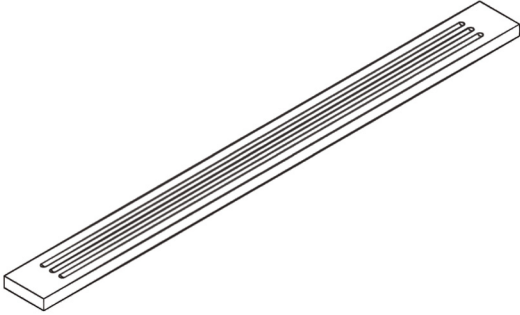
FILLERS



WxHxD	SKU
<b>Wall Filler</b>	
3"x30"x0.75"	WF330
3"x36"x0.75"	WF336
3"x42"x0.75"	WF342
6"x30"x0.75"	WF630
6"x36"x0.75"	WF636
6"x42"x0.75"	WF642
<b>Tall Filler</b>	
3"x96"x0.75"	TF396
6"x96"x0.75"	TF696

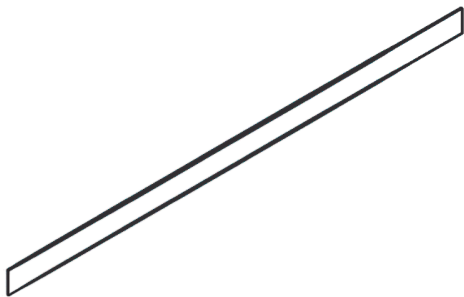


## FLUTED FILLERS



WxHxD	SKU
3"x30"x0.75"	FF330
3"x36"x0.75"	FF336
3"x42"x0.75"	FF342
3"x96"x0.75"	FF396

## TOE KICK FILLERS



WxHxD	SKU
96"x4.5"x0.25"	TK96

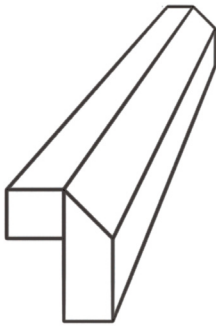
## PRO TIP

---

Try using an OCL—Outside Corner Molding to finish cut or exposed edges of toe kick for a clean, finished look.

LIGHT RAIL MOLDING

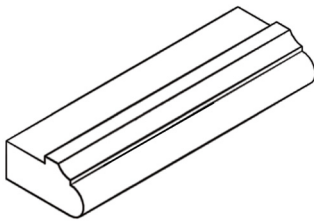
TRIMS



WxHxD	SKU
96"x2"x1.5"	LBMF

LIGHT VALANCE PROFILE

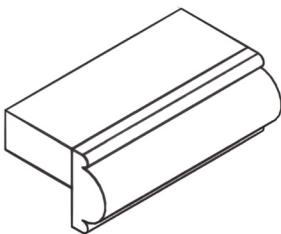
TRIMS



WxHxD	SKU
96"x0.75"x1.5"	LVP

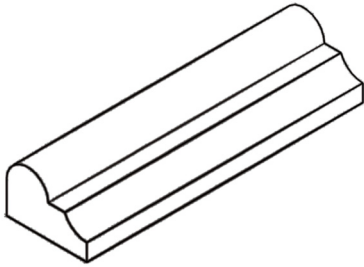
LIGHT VALANCE BEADED

TRIMS



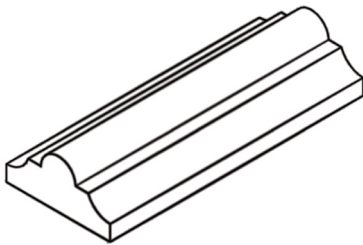
WxHxD	SKU
96"x1.5"x1.5"	LVB

CHAIR RAIL  
TRIMS



WxHxD	SKU
96"x1.5"x1.5"	CR

FURNITURE STRAIGHT  
TRIMS



WxHxD	SKU
96"x0.75"x1.6"	FSM

SCRIBE  
TRIMS



WxHxD	SKU
96"x0.75"x0.25"	SC

BATTEN  
TRIMS



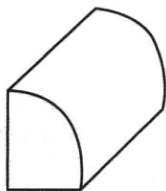
WxHxD	SKU
96"x0.75"x0.25"	BAM

OUTSIDE CORNER  
TRIMS



WxHxD	SKU
96"x0.75"x0.75"	OCL

QUARTER ROUND  
TRIMS



WxHxD	SKU
96"x0.75"x0.75"	QR

ARCHED PANEL  
VALANCES



WxHxD	SKU
36"x9"x0.75"	AVAL36
48"x9"x0.75"	AVAL48

Can cut up to 2" off either side.

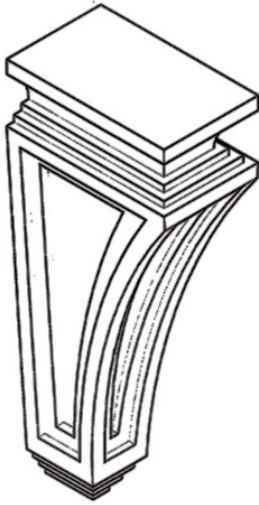
BEADED  
VALANCES



WxHxD	SKU
42"x6"x0.75"	GBVAL42
60"x6"x0.75"	GBVAL60

Can cut up to 6" off either side.

CORBEL  
STRUCTURAL



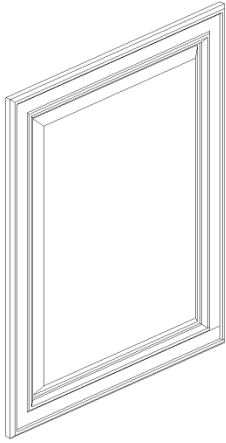
WxHxD	SKU
3"x12"x5"	CSS

POST  
STRUCTURAL



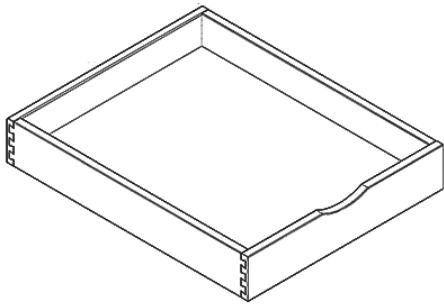
WxHxD	SKU
3"x34.5"x3"	SP34.5
3"x42"x3"	SP42

## DECORATIVE END PANEL



WxHxD	SKU
12"x30"x0.75"	WDD1230
12"x36"x0.75"	WDD1236
12"x42"x0.75"	WDD1242
23.5"x25.5"x0.75"	BDD23.5x25.5
23.5"x30"x0.75"	BDD23.5x30

## ROLLOUT TRAY SET ACCESSORIES



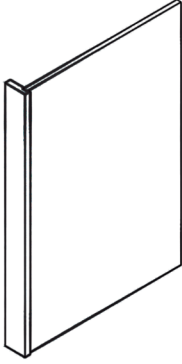
WxHxD	SKU
11"x4.25"x21"	ROT15
14"x4.25"x21"	ROT18
17"x4.25"x21"	ROT21
20"x4.25"x21"	ROT24
26"x4.25"x21"	ROT30
32"x4.25"x21"	ROT36

Modifications available.  
Roll out ships loose.

## PRO TIP

When purchasing rollout trays, match the ROT# to the cabinet width. For example, B24 accepts ROT24.

## END PANELS



WxHxD	SKU
24"x34.5"x3"	BEP3
24"x96"x3"	REP396

Finished on both sides.

## SIDE FINISHED SKINS

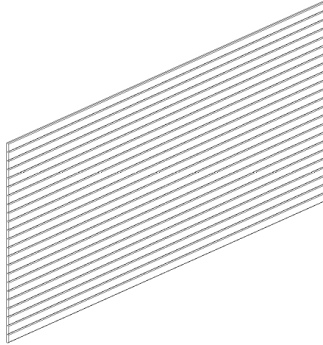


WxHxD	SKU
12"x30"x0.25"	WS1230
12"x36"x0.25"	WS1236
12"x42"x0.25"	WS1242
24"x34.5"x0.25"	BS24
24"x96"x0.25"	TS2496

Dimensions listed are nominal.  
Actual size is slightly smaller to fit behind face frame.



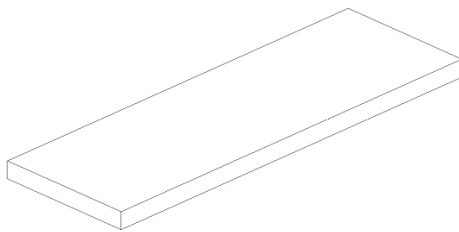
# PLYWOOD PANELS



WxHxD	SKU
48"x96"x0.25"	BP4896.25
<b>Edge Banded Panels</b>	
48"x96"x0.75"	BP4896.75
24"x96"x0.75"	BP2496.75
<b>Beaded</b>	
48"x96"x0.25"	BBP4896.25

$\frac{3}{4}$ " panels are edge banded on 4 sides.

# WALL FLOATING SHELF

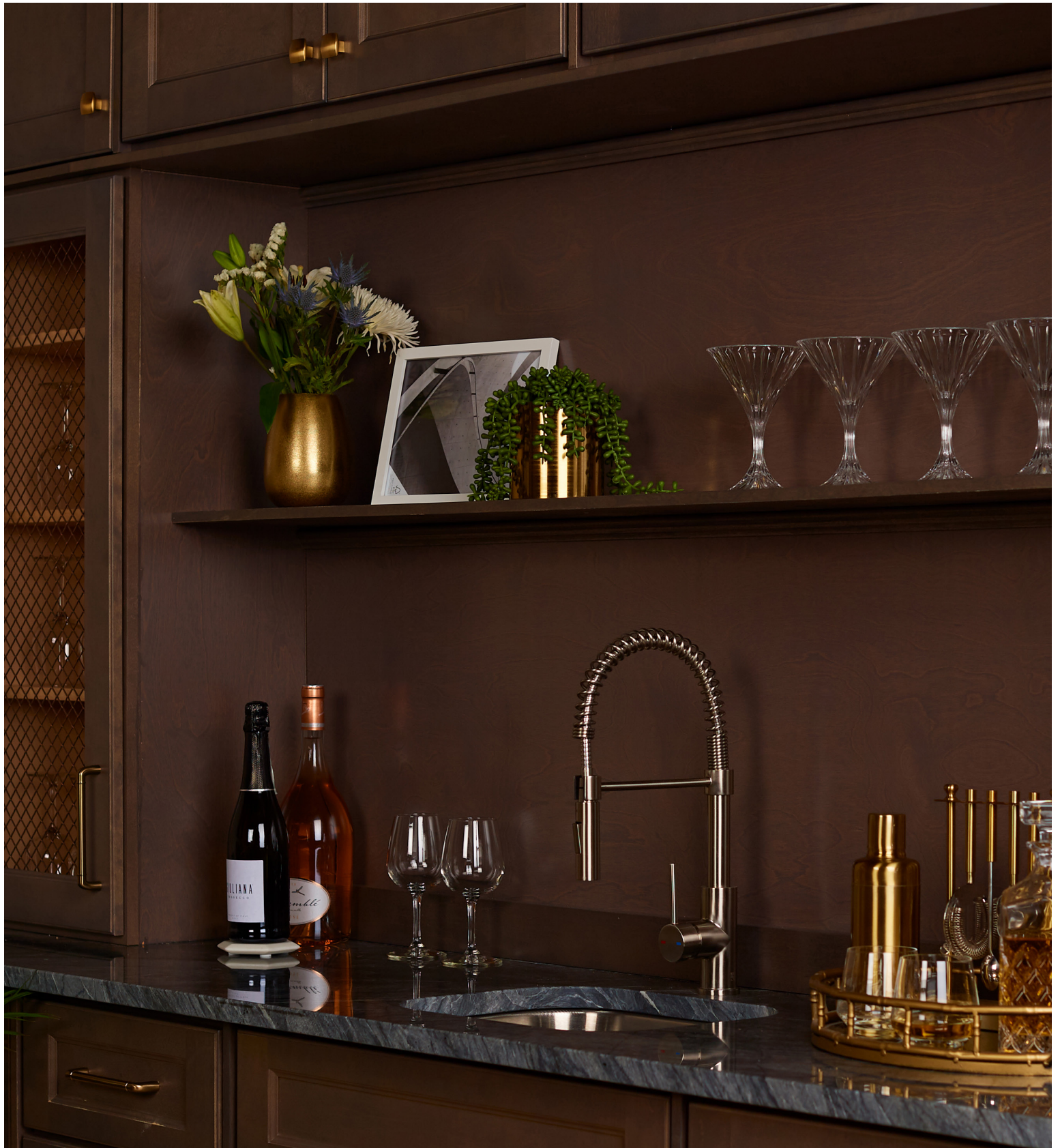


WxHxD	SKU
36"x1.5"x12"	WSF3612
48"x1.5"x12"	WSF4812

Includes mounting hardware.

## PRO TIP

If cutting a shelf in width, make sure to butt one side against a wall or cabinet to cover the raw edge. Also be mindful of the support locations.



# MODIFICATIONS

# MODIFICATIONS

## KEY

PFG	PREP FOR GLASS	RDB	REDUCE DEPTH BASE	SKIN	APPLY SKIN TO CABINETS
FIW	FINISH INTERIOR WALL	RDD	REDUCE DEPTH DRAWER	MBC	MAKE BENCH CABINET
FIT	FINISH INTERIOR TALL	RDW	REDUCE DEPTH WALL	VTD	VOID TOP DRAWER
IDW	INCREASE DEPTH WALL	RDT	REDUCE DEPTH TALL		
IDT	INCREASE DEPTH TALL	CTK	CUT TOE KICK		

SKU	RDD	RDW	RDT	IDW	IDT	CTK	FIW	FIT	PFG	MBC	VTD
2DB30	•					•				•	
2DB36	•					•				•	
3DB12	•					•				•	•
3DB15	•					•				•	•
3DB18	•					•				•	•
3DB21	•					•				•	•
3DB24	•					•				•	•
3DB30	•					•				•	•
3DB36	•					•				•	•
B09FH						•			•		
B09SP						•					
B12						•			•		•
B12FH						•			•		
B15						•			•		•
B15FH						•			•		
B18						•			•		•
B18FH						•			•		
B21						•			•		•
B21FH						•			•		
B24						•			•		
B24FH						•			•		
B27						•			•		•
B27FH						•			•		

# MODIFICATIONS

SKU	RDD	RDW	RDT	IDW	IDT	CTK	FIW	FIT	PFG	MBC	VTD
B30						•			•		
B30FH						•			•		
B33						•			•		
B33FH						•			•		
B36						•			•		
B36FH						•			•		
B39						•			•		
B39FH						•			•		
B42						•			•		
B42FH						•			•		
BAE24						•					
BER36						•					
BMD30	•					•				•	
BLB39/42						•					
BLB42/45						•					
BWB18						•					
DSB36						•					
FDB18	•					•					
FS36						•			•		
FS39						•			•		
KDC30/36											
LSB33						•					
LSB36						•					
OC338424			•		•	•		•	•		
OC339024			•		•	•		•	•		
OC339624			•		•	•		•	•		
SB24						•			•		

# MODIFICATIONS

SKU	RDD	RDW	RDT	IDW	IDT	CTK	FIW	FIT	PFG	MBC	VTD
SB30						•			•		
SB33						•			•		
SB36						•			•		
SB39						•			•		
SB42						•			•		
TP188424			•		•	•		•	•		
TP189024			•		•	•		•	•		
TP189624			•		•	•		•	•		
TP248424			•		•	•		•	•		
TP249024			•		•	•		•	•		
TP249624			•		•	•		•	•		
TP308424			•		•	•		•	•		
TP309024			•		•	•		•	•		
TP309624			•		•	•		•	•		
VB12						•			•		
VB15						•			•		
VDB12	•					•				•	
VDB15	•					•				•	
VDB18	•					•				•	
VDB24	•					•				•	
VS24						•			•		
VS30						•			•		
VS36						•			•		
VSD30L	•					•			•		
VSD30R	•					•			•		
VSD36L	•					•			•		
VSD36R	•					•			•		

# MODIFICATIONS

SKU	RDD	RDW	RDT	IDW	IDT	CTK	FIW	FIT	PFG	MBC	VTD
VSD42		•				•			•		
VSD48		•				•			•		
W0930		•		•			•		•		
W0936		•		•			•		•		
W0942		•		•			•		•		
W1212GD		•		•			•				
W1230		•		•			•		•		
W1236		•		•			•		•		
W1242		•		•			•		•		
W1512GD		•		•			•				
W1530		•		•			•		•		
W1530GD		•		•			•				
W1536		•		•			•		•		
W1536GD		•		•			•				
W1542		•		•			•		•		
W1542GD		•		•			•				
W1812GD		•		•			•				
W1818		•		•			•		•		
W1830		•		•			•		•		
W1836		•		•			•		•		
W1842		•		•			•		•		
W2112GD		•		•			•				
W2130		•		•			•		•		
W2136		•		•			•		•		
W2142		•		•			•		•		
W2412GD		•		•			•				
W2430		•		•			•		•		

# MODIFICATIONS

SKU	RDD	RDW	RDT	IDW	IDT	CTK	FIW	FIT	PFG	MBC	VTD
W2430GD		•		•			•				
W2436		•		•			•		•		
W2436GD		•		•			•				
W2442		•		•			•		•		
W2442GD		•		•			•				
W2712GD		•		•			•				
W2730		•		•			•		•		
W2736		•		•			•		•		
W2742		•		•			•		•		
W3012		•		•			•		•		
W3012GD		•		•			•				
W3015		•		•			•		•		
W3018		•		•			•		•		
W3021		•		•			•		•		
W3024		•		•			•		•		
W3030		•		•			•		•		
W3030GD		•		•			•				
W3036		•		•			•		•		
W3036GD		•		•			•				
W3042		•		•			•		•		
W3042GD		•		•			•				
W3312GD		•		•			•				
W3324		•		•			•		•		
W3330		•		•			•		•		
W3336		•		•			•		•		
W3342		•		•			•		•		
W3612		•		•			•		•		

# MODIFICATIONS

SKU	RDD	RDW	RDT	IDW	IDT	CTK	FIW	FIT	PFG	MBC	VTD
W361224		•		•			•		•		
W3612GD		•		•			•				
W3615		•		•			•		•		
W361524		•		•			•		•		
W3618		•		•			•		•		
W361824		•		•			•		•		
W3621		•		•			•		•		
W362124		•		•			•		•		
W3624		•		•			•		•		
W362424		•		•			•		•		
W3630		•		•			•		•		
W3636		•		•			•		•		
W3642		•		•			•		•		
W3930		•		•			•		•		
W3936		•		•			•		•		
W3942		•		•			•		•		
W421224		•		•			•		•		
W4230		•		•			•		•		
W4236		•		•			•		•		
W4242		•		•			•		•		
W481224		•		•			•		•		
WBC3030		•		•			•		•		
WBC3036		•		•			•		•		
WBC3042		•		•			•		•		
WBC3630		•		•			•		•		
WBC3636		•		•			•		•		
WBC3642		•		•			•		•		



# MODIFICATIONS

SKU	RDD	RDW	RDT	IDW	IDT	CTK	FIW	FIT	PFG	MBC	VTD
WDC2412GD		.		.			.				
WDC2418									.		
WDC2430							.		.		
WDC2430GD							.				
WDC2436							.		.		
WDC2436GD							.				
WDC2442							.		.		
WDC2442GD							.				
WDC273615							.		.		
WDC273615GD							.				
WDC274215							.		.		
WDC274215GD							.				
WSC2430							.		.		
WSC2436							.		.		
WSC2442							.		.		

# MODIFICATIONS

## NOTES

---

PFG	PREP FOR GLASS	On most cabinet doors we can remove the center panel and prepare the door to accept a glass panel. You must specify which door or doors. Glass is sold separately.
FIW	FINISH INTERIOR WALL	Most wall cabinets can have a finished interior. Top, back, sides and shelf will be finished to match the door finish.
FIT	FINISH INTERIOR TALL	Most tall cabinets can have a finished interior. Top, back, sides and shelves will be finished to match the door finish.
IDW	INCREASE DEPTH WALL	Most wall cabinets can be increased in depth. Specify your overall depth to front of face frame. Maximum depth is 30". Done in ½" increments.
IDT	INCREASE DEPTH TALL	Most tall cabinets can be increased in depth. Specify your overall depth to front of face frame. Maximum depth is 30". Done in ½" increments.
RDB	REDUCE DEPTH BASE	Most base cabinets can be reduced in depth. Specify your overall depth to front of face frame. Modified drawer boxes will not have dovetail joints at the back of the drawer. Minimum overall depth is 15". Done in ½" increments.
RDD	REDUCE DEPTH DRAWERS	Most drawer base cabinets can be reduced in depth. Specify your overall depth to front of face frame. Modified drawer boxes will not have dovetail joints at the back of the drawer. Minimum overall depth is 15". Done in ½" increments.
RDW	REDUCE DEPTH WALL	Most wall cabinets can be reduced in depth. Specify your overall depth to front of face frame. Minimum overall depth is 9". Done in ½" increments.
RDT	REDUCE DEPTH TALL	Most tall cabinets can be reduced in depth. Specify your overall depth to front of face frame. Minimum overall depth is 9". Done in ½" increments.
CTK	CUT TOE KICK	All base cabinets with toe kick can be cut down to 4½". Done in ½" increments.
SKIN	APPLY FINISH SKIN	Factory applied finished skin on ends of cabinets. Must specify right, left, or both ends. Skins are designed to fit behind back of face frame and flush with top and bottom of cabinet.
MBC	MAKE BENCH CABINET	Factory removed top two drawers on 3DB and top drawer on 2DB cabinets. Finished cabinet single drawer height for 3DB=16" and 2DB=19⅜".
VTD	VOID TOP DRAWER	Factory removed top drawer and drawer front re-attached to face frame. Drawer fronts attached similar to a sink base. Drawer front can also be shipped loose.